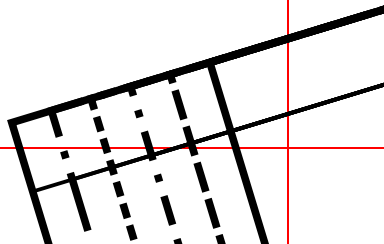
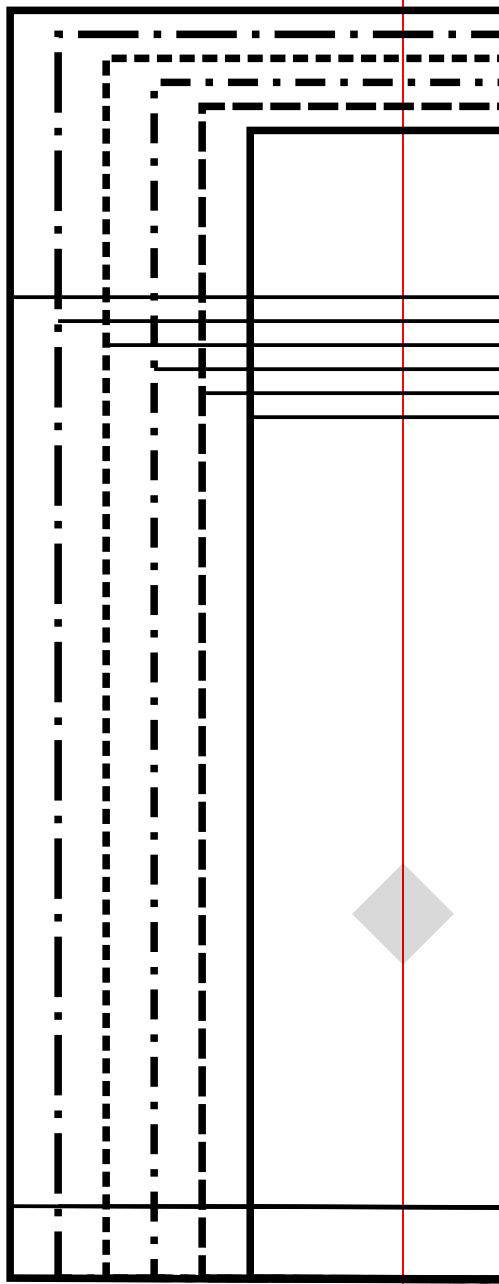
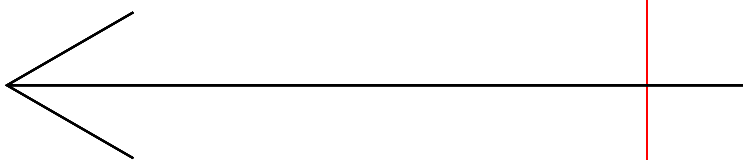
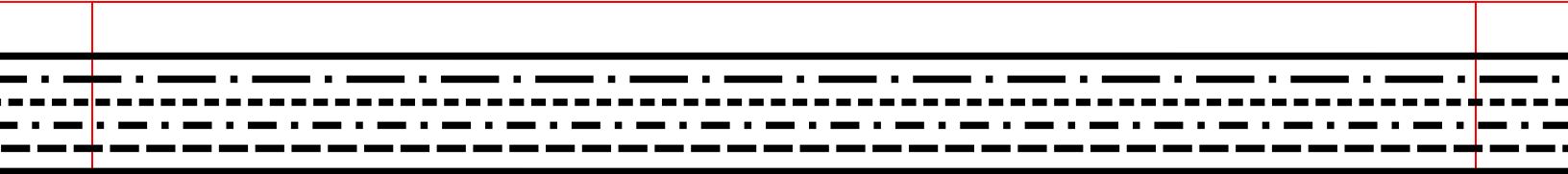
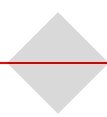
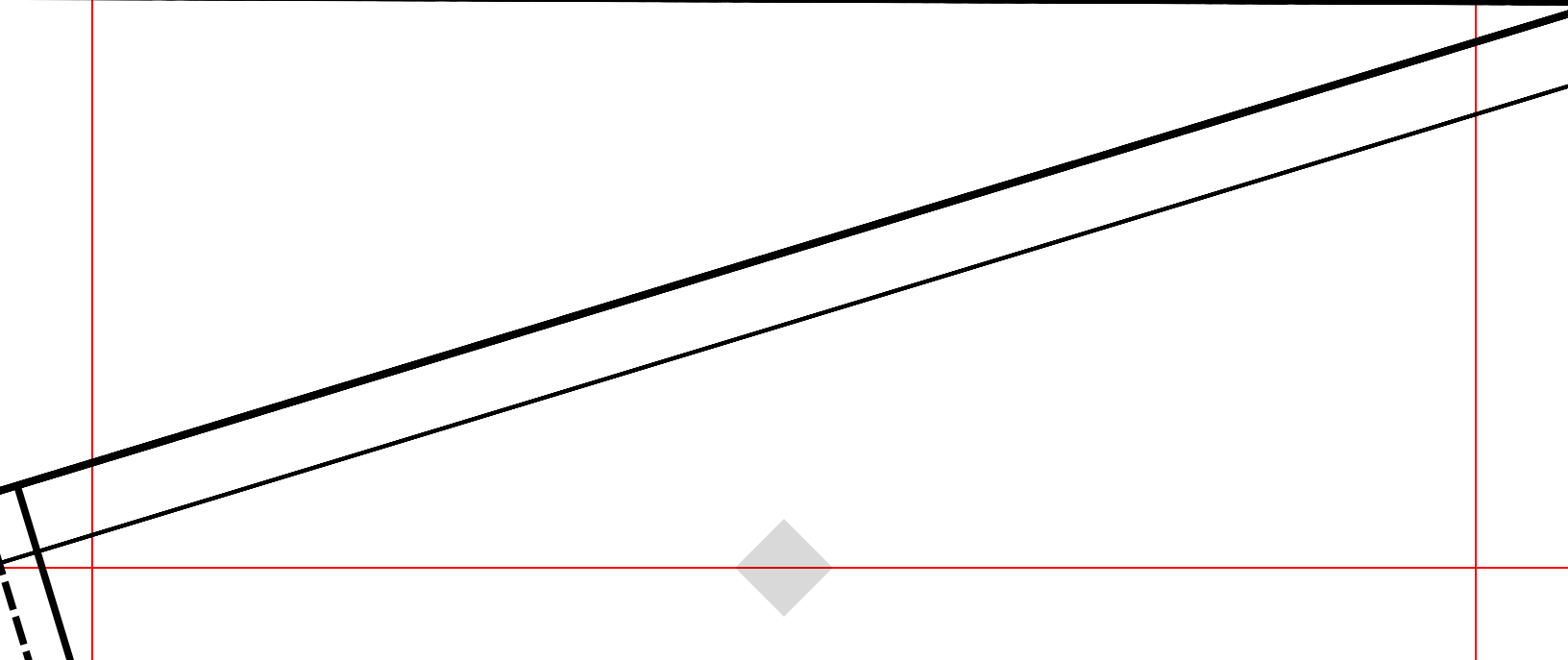


1A





1B



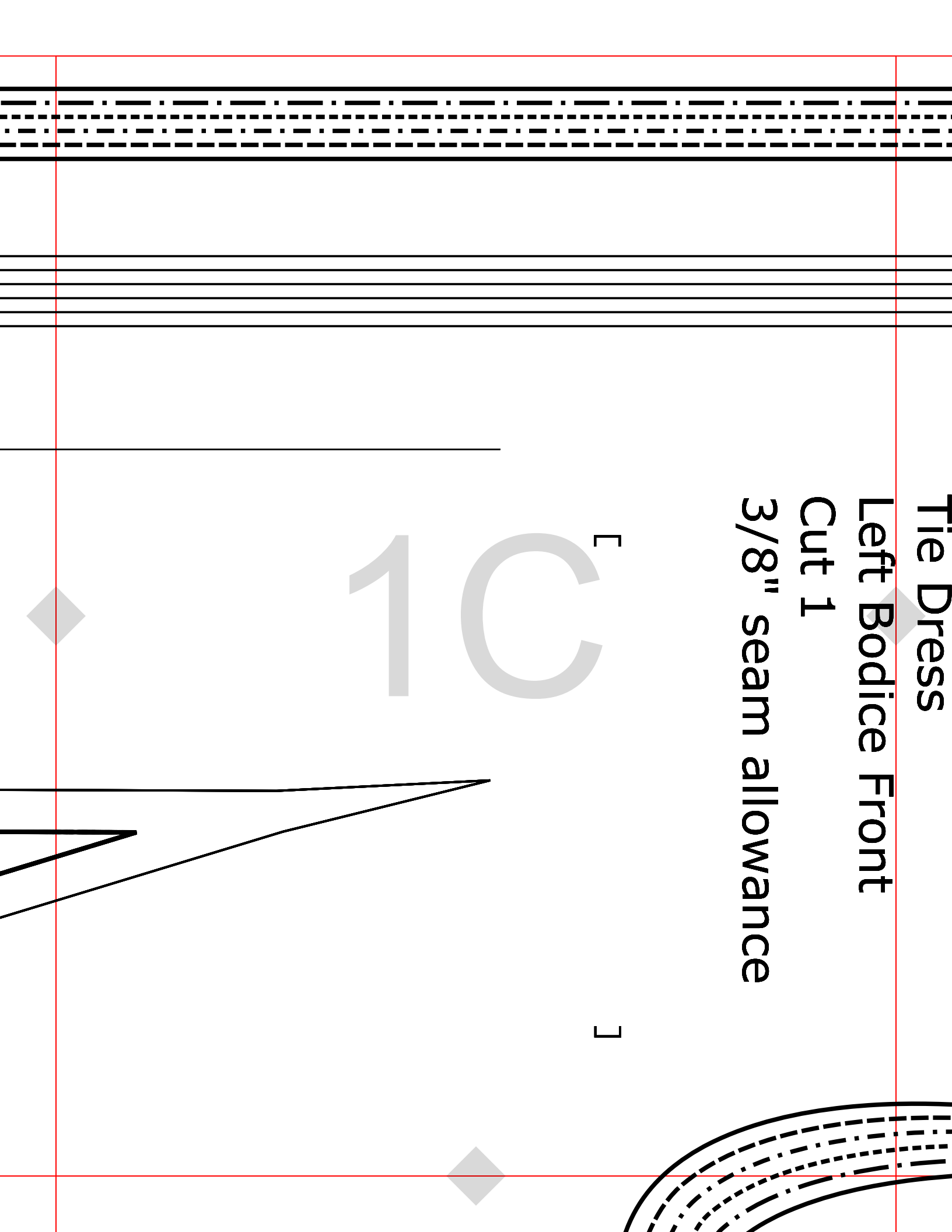
# Tie Dress

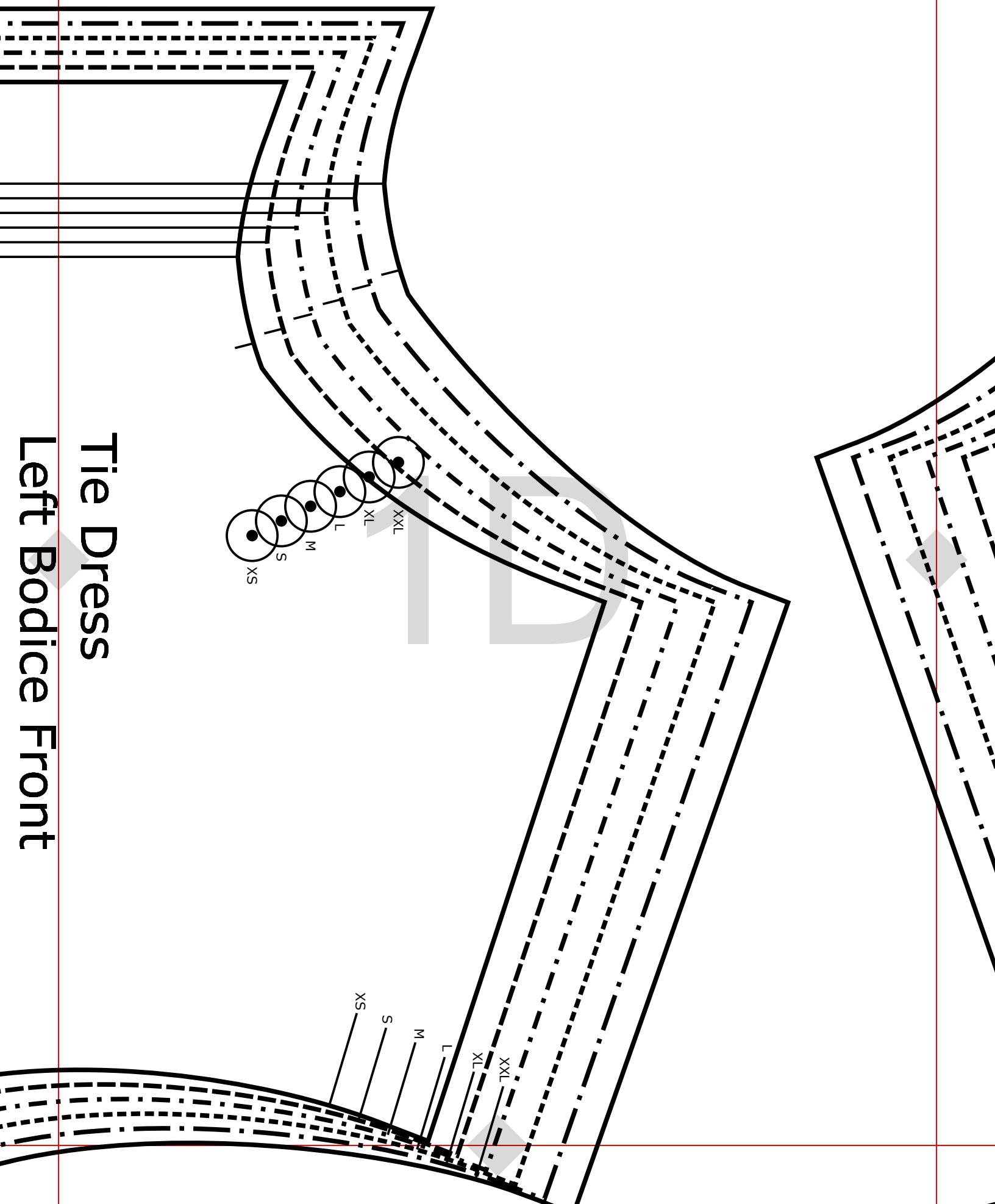
## Left Bodice Front

Cut 1

3/8" seam allowance

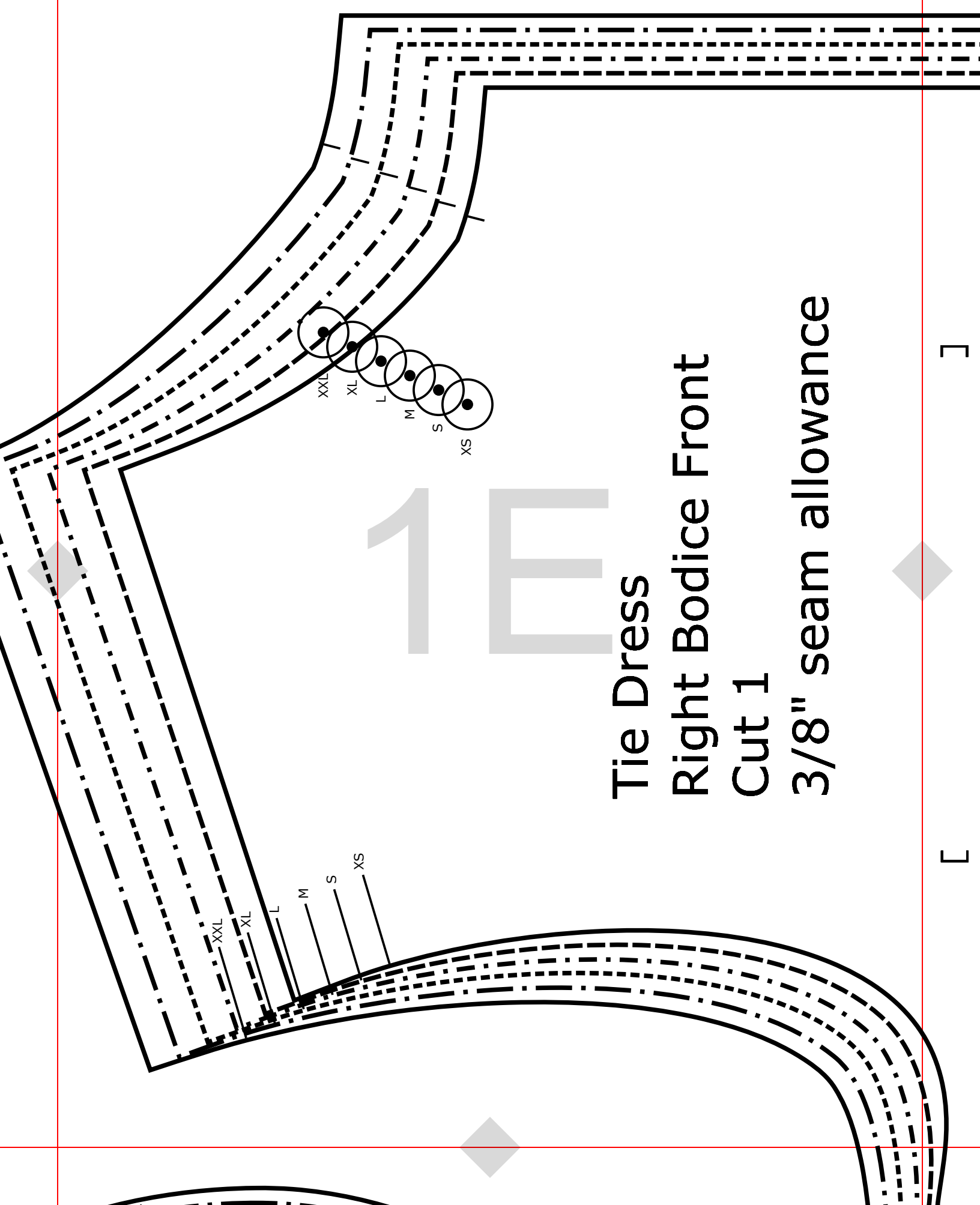
1C





# Tie Dress

## Left Bodice Front



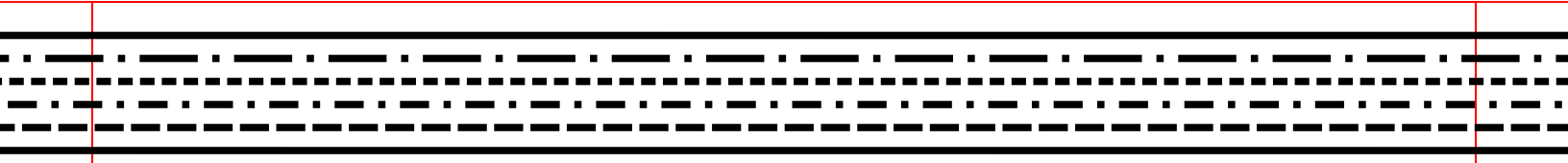
**Tie Dress**  
**Right Bodice Front**  
**Cut 1**  
**3/8" seam allowance**

XXL  
XL  
L  
M  
S  
XS

XXL  
XL  
L  
M  
S  
XS

[

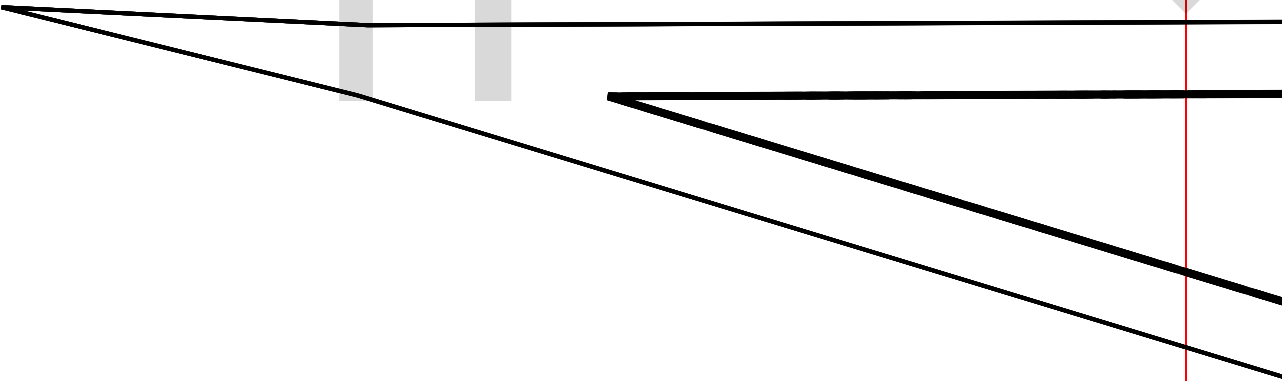
]



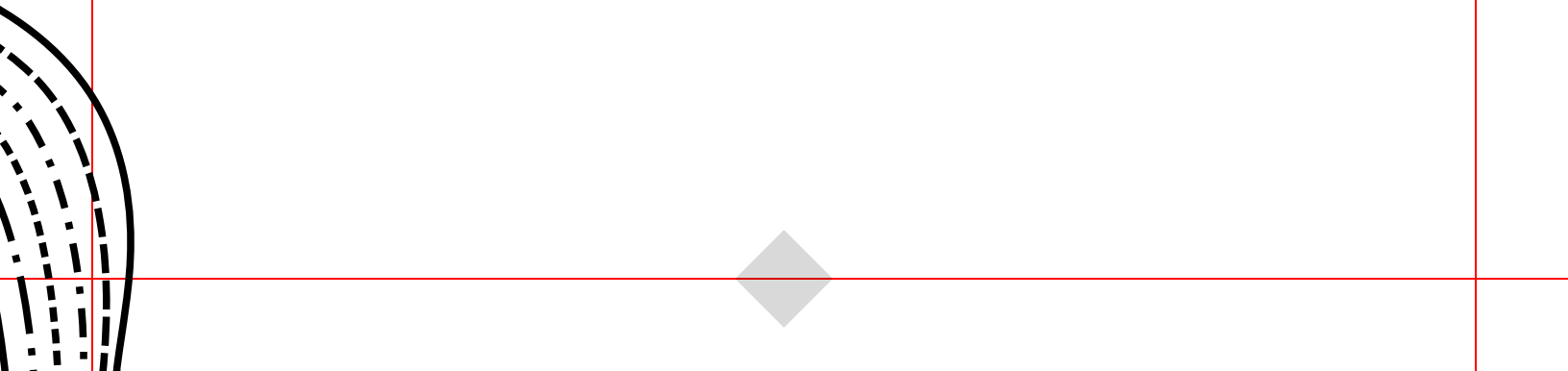
]

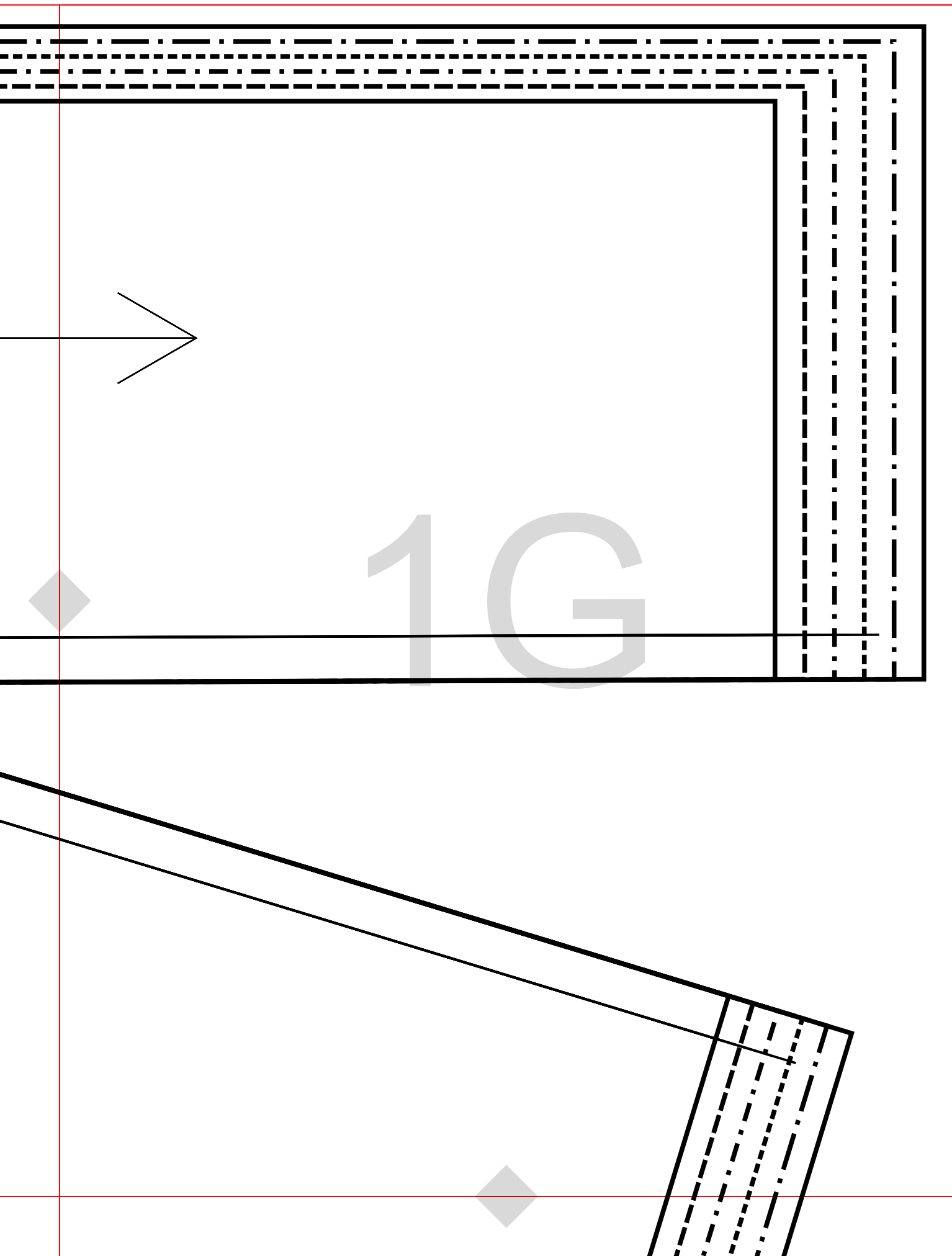


1 F

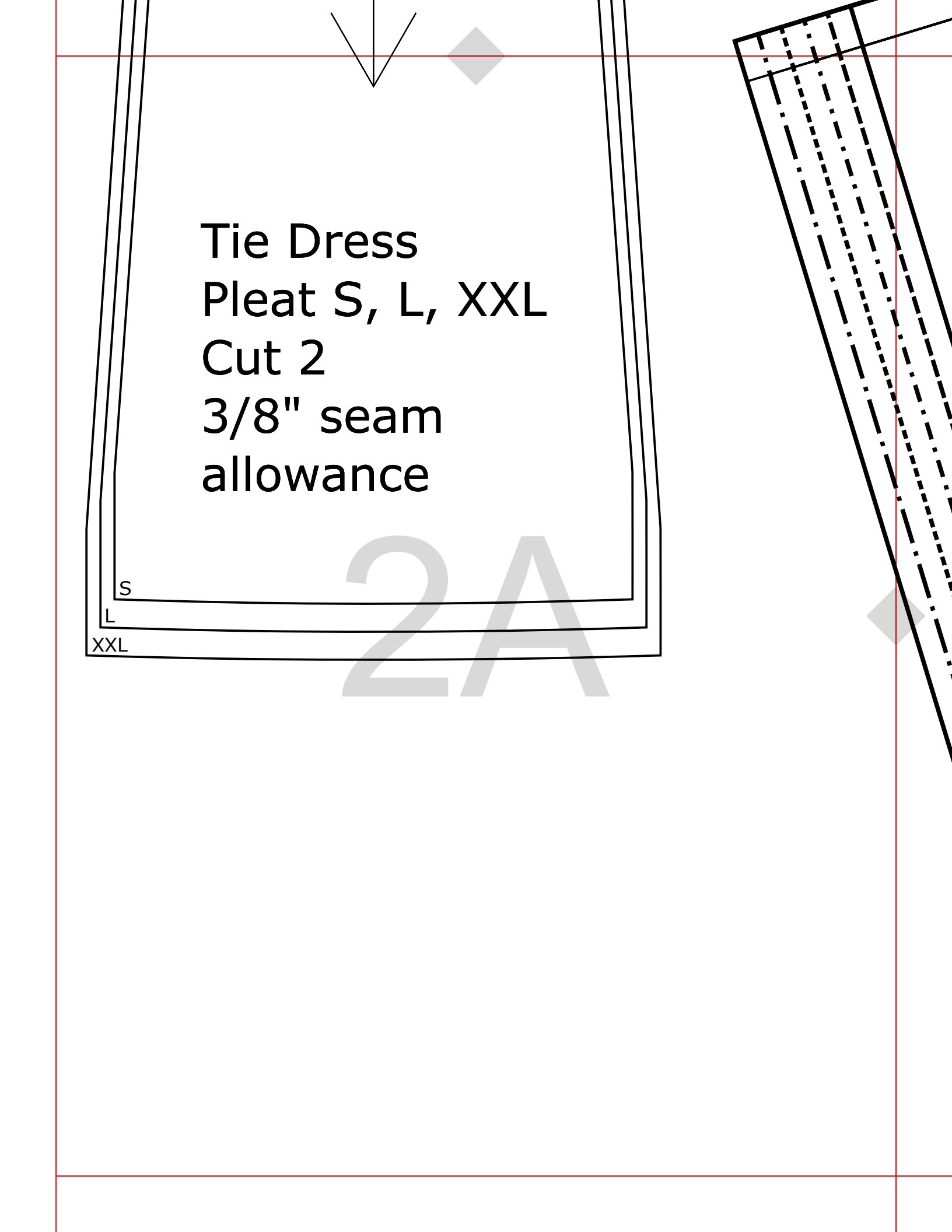


[









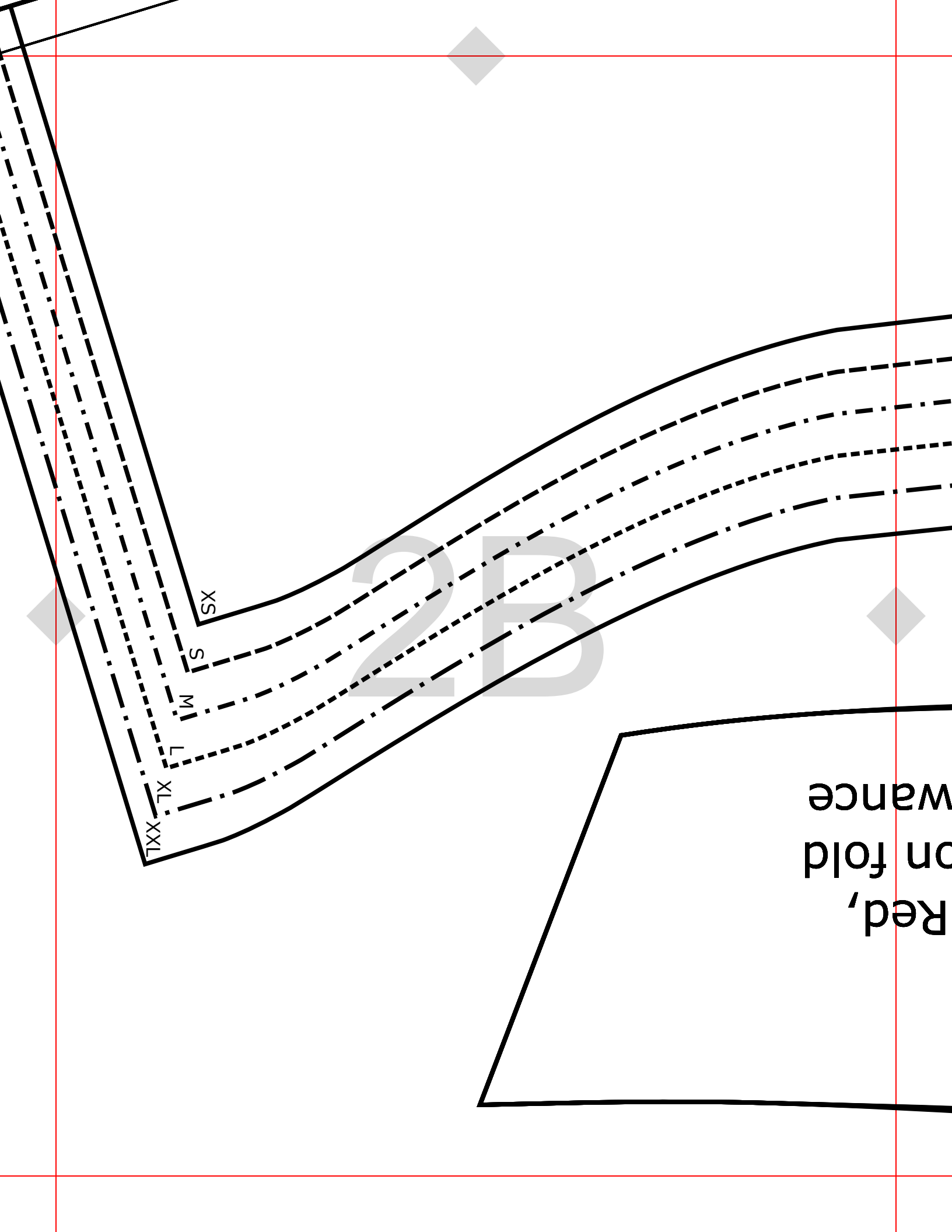
Tie Dress  
Pleat S, L, XXL  
Cut 2  
3/8" seam  
allowance

S

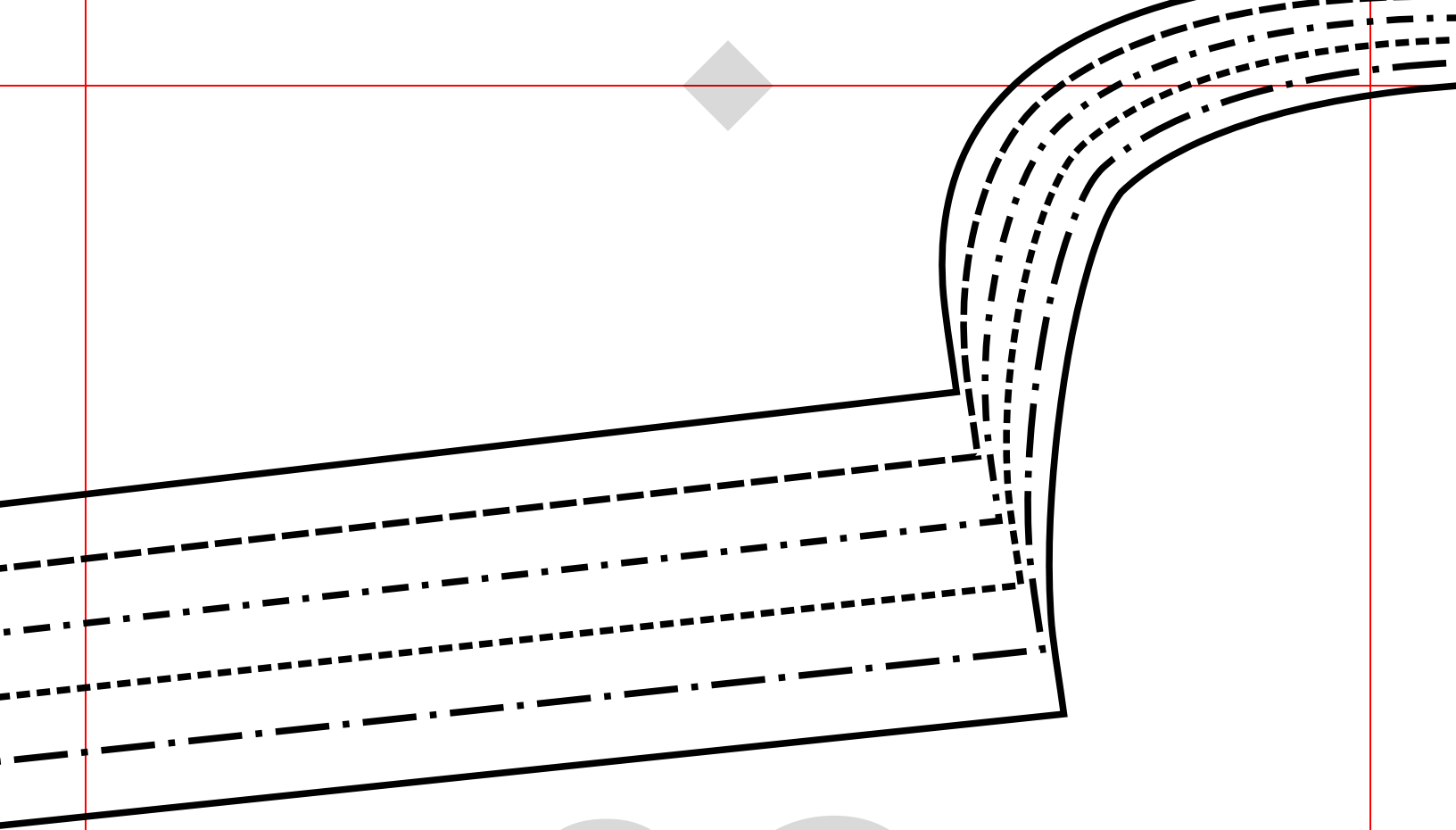
L

XXL

2A

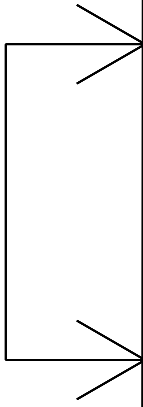


Red,  
on fold  
wance

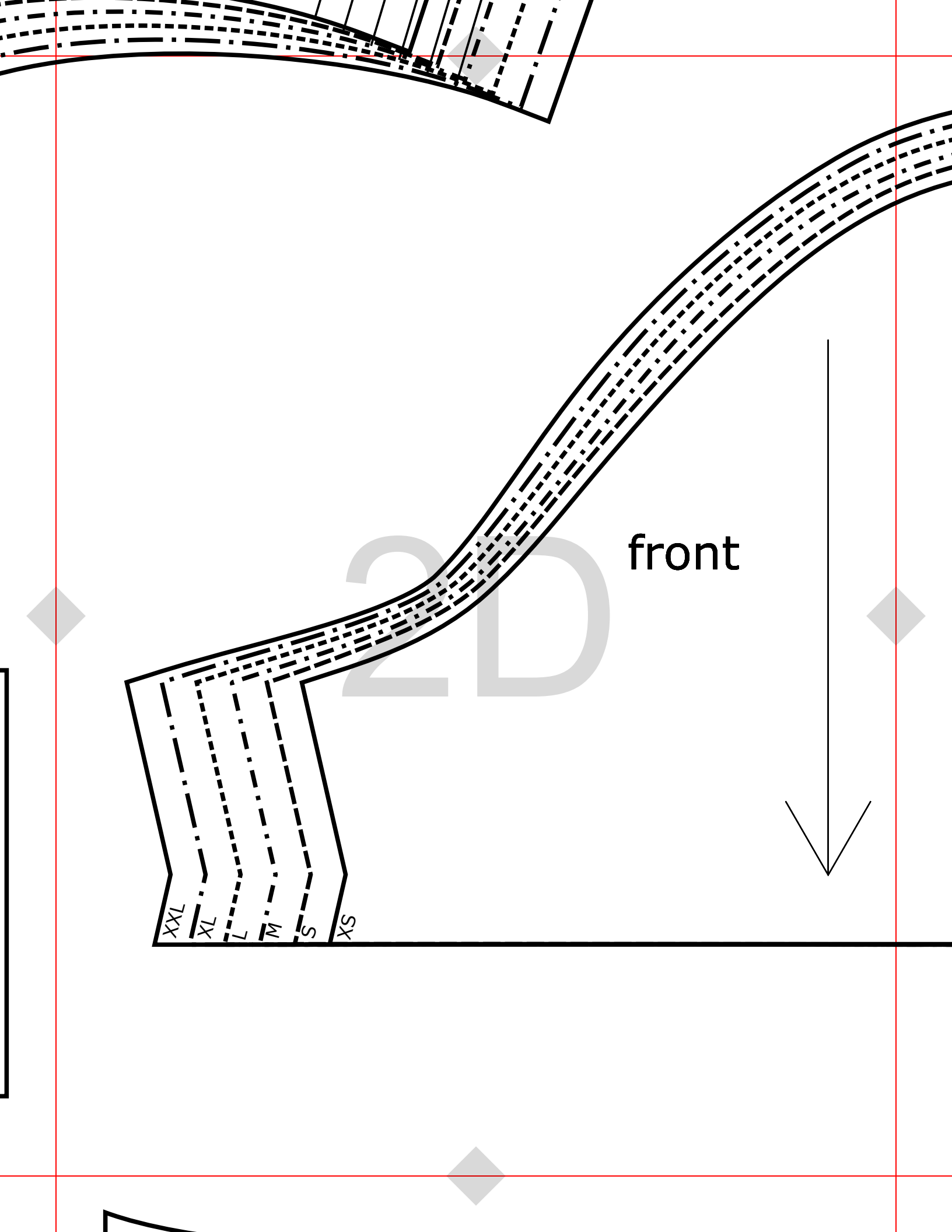


2C

Tie Dress  
Collar  
Cut 1 Black, 1 Red,  
1 Interfacing, on fo  
3/8" seam allowance

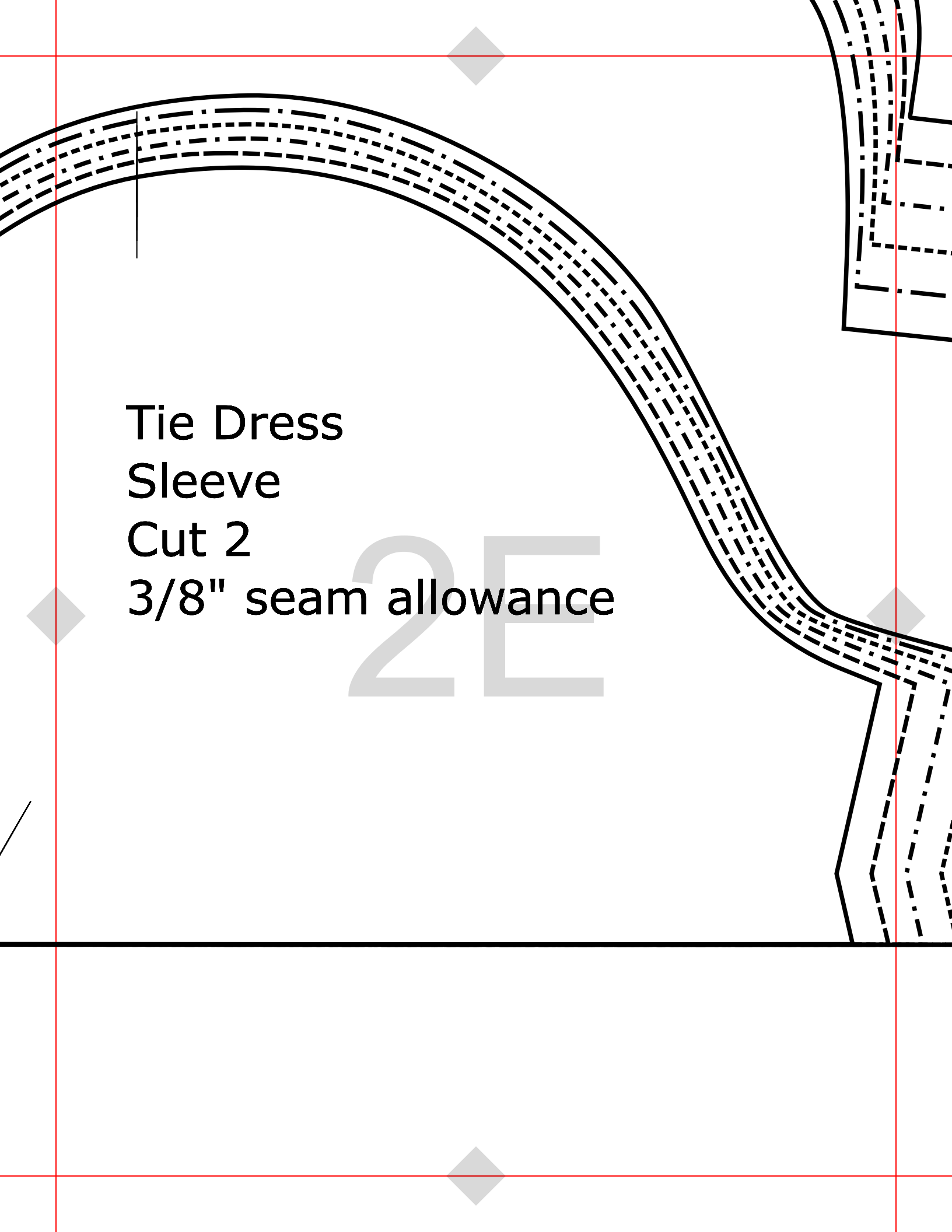


XS
S
M
L
XL
XXL




front

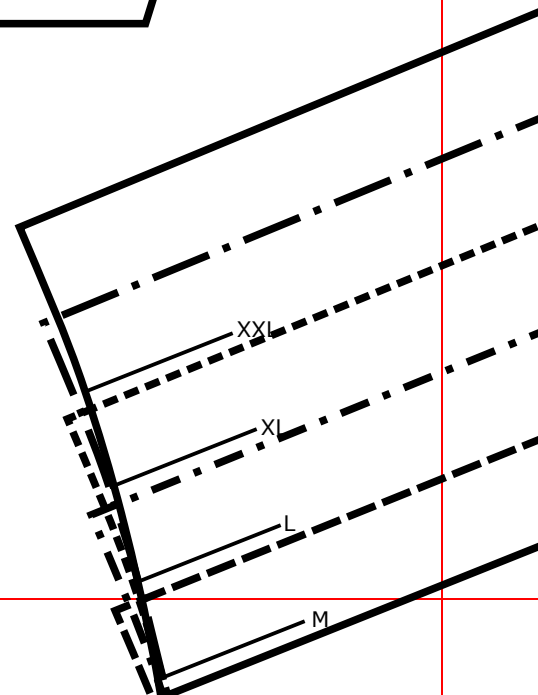
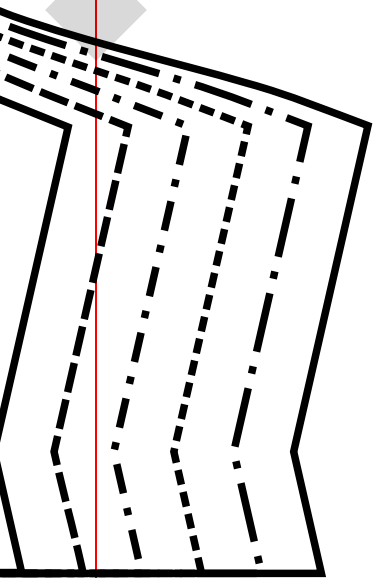
XXL  
XL  
L  
M  
S  
XS

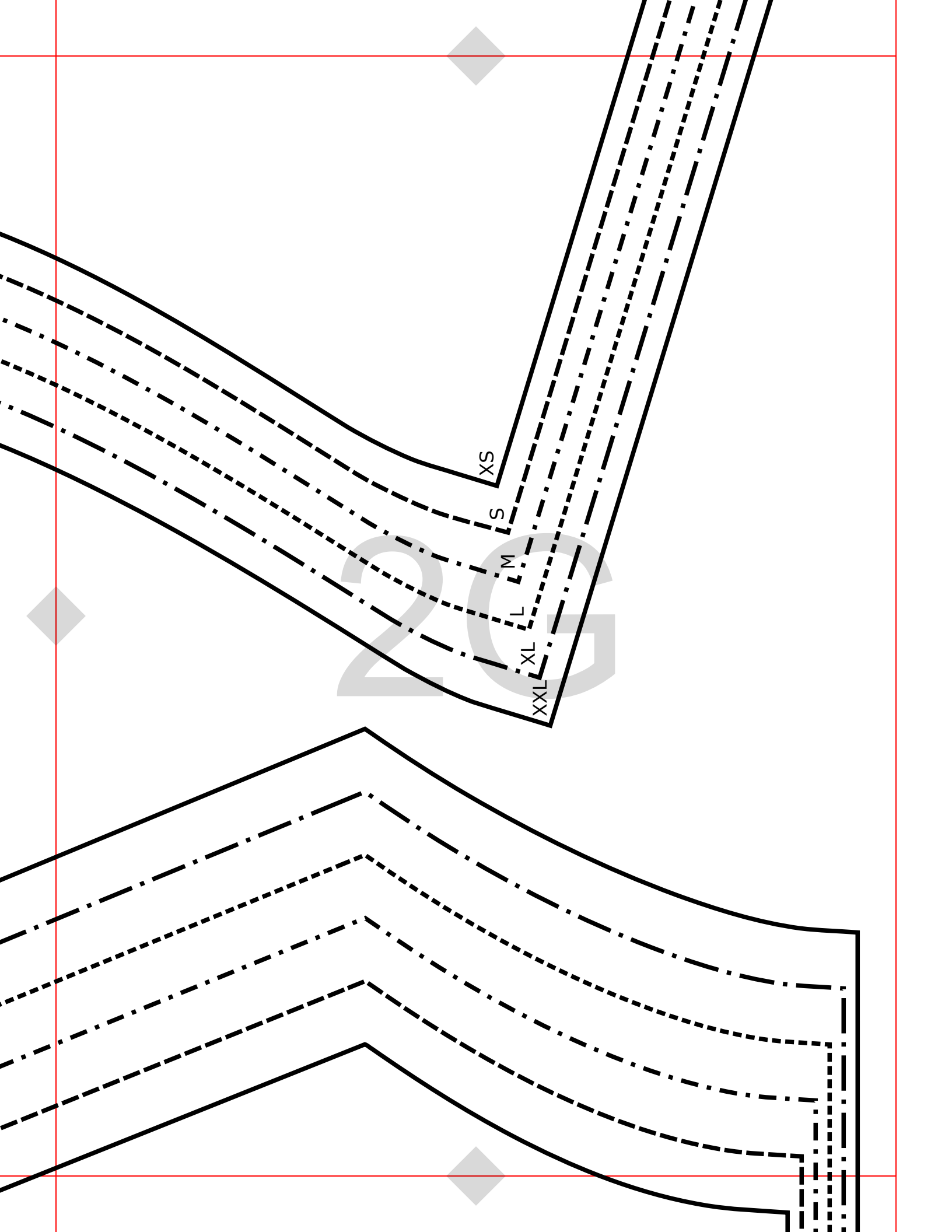


Tie Dress  
Sleeve  
Cut 2  
3/8" seam allowance



Tie Dress  
Tie Knot  
Cut 1 red  
3/8" seam  
allowance





XS

S

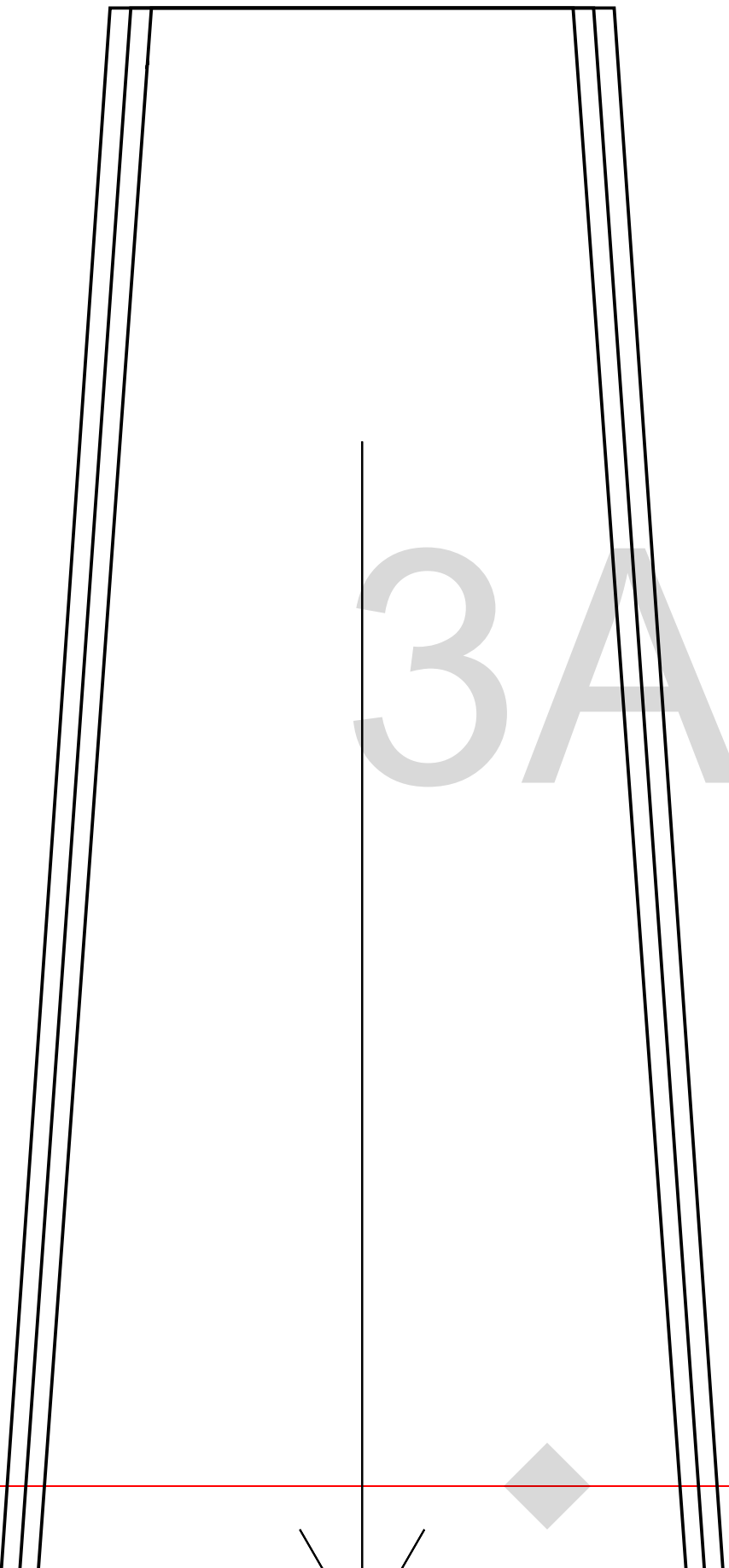
M

L

XL

XXL

Tie Dress  
Cut 2 Black  
1/2" Seam







Tie Dress Button



Tie Dress Button



Tie Dress Button



Tie Dress Button



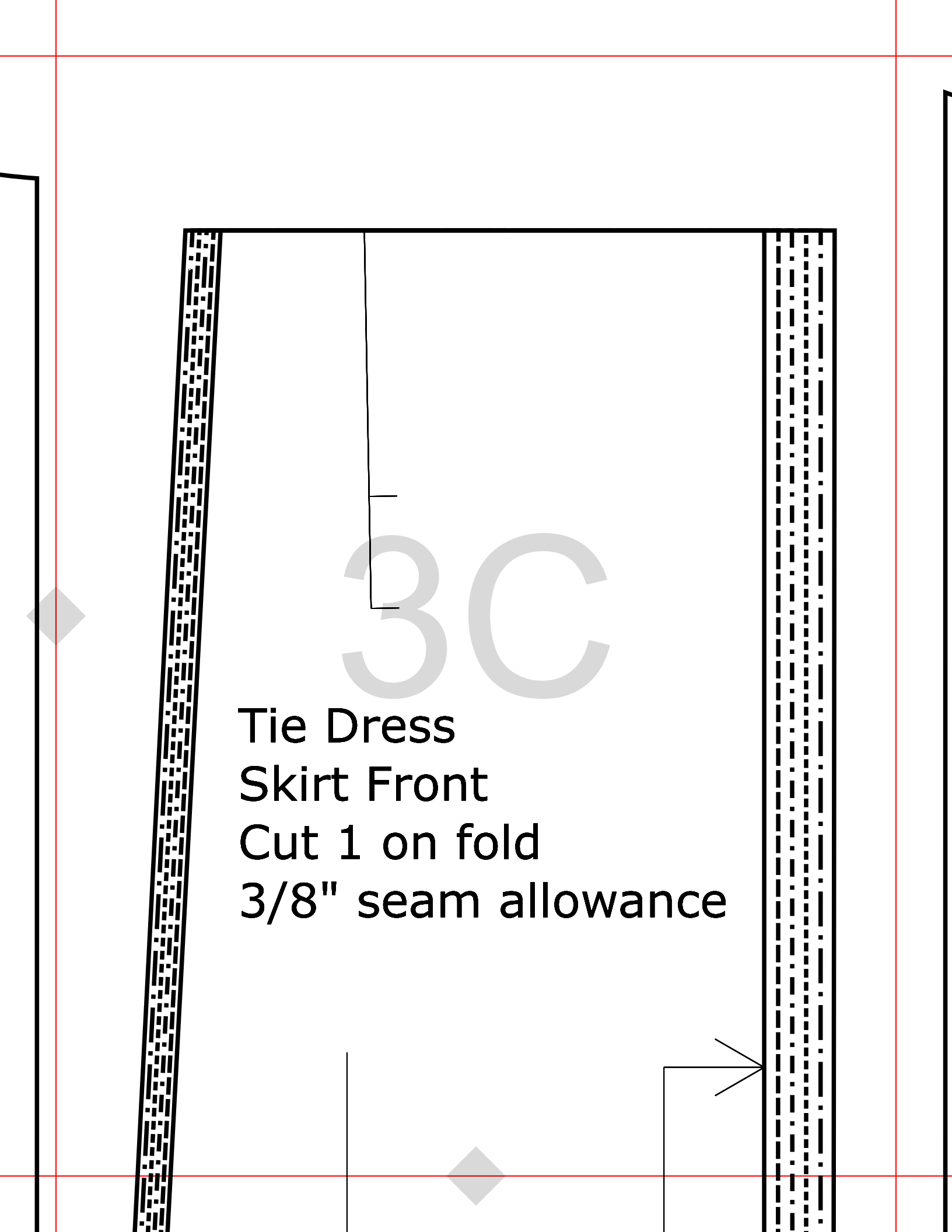
Tie Dress Button

3B

Tie D

3C

Tie Dress  
Skirt Front  
Cut 1 on fold  
3/8" seam allowance



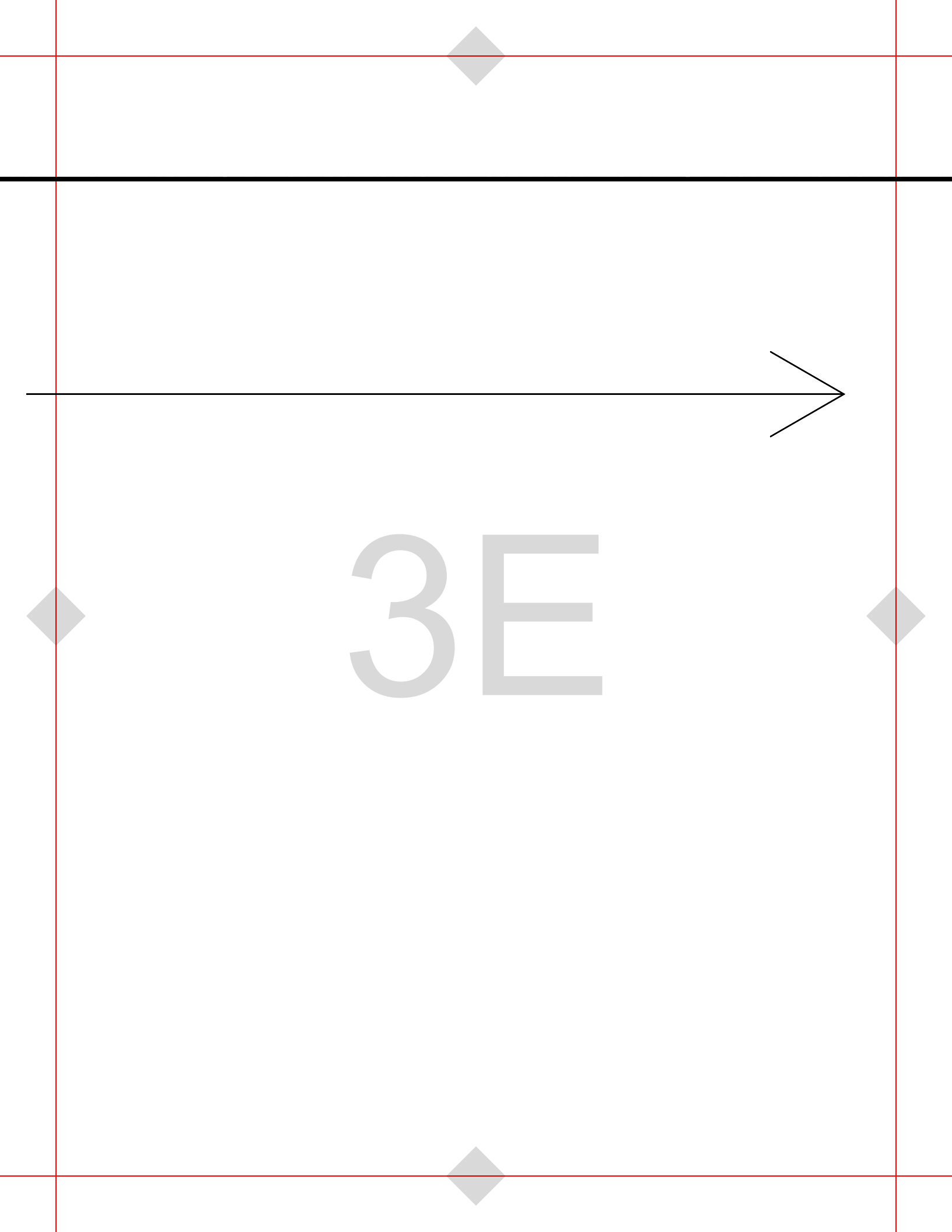
Tie Dress Button Pla



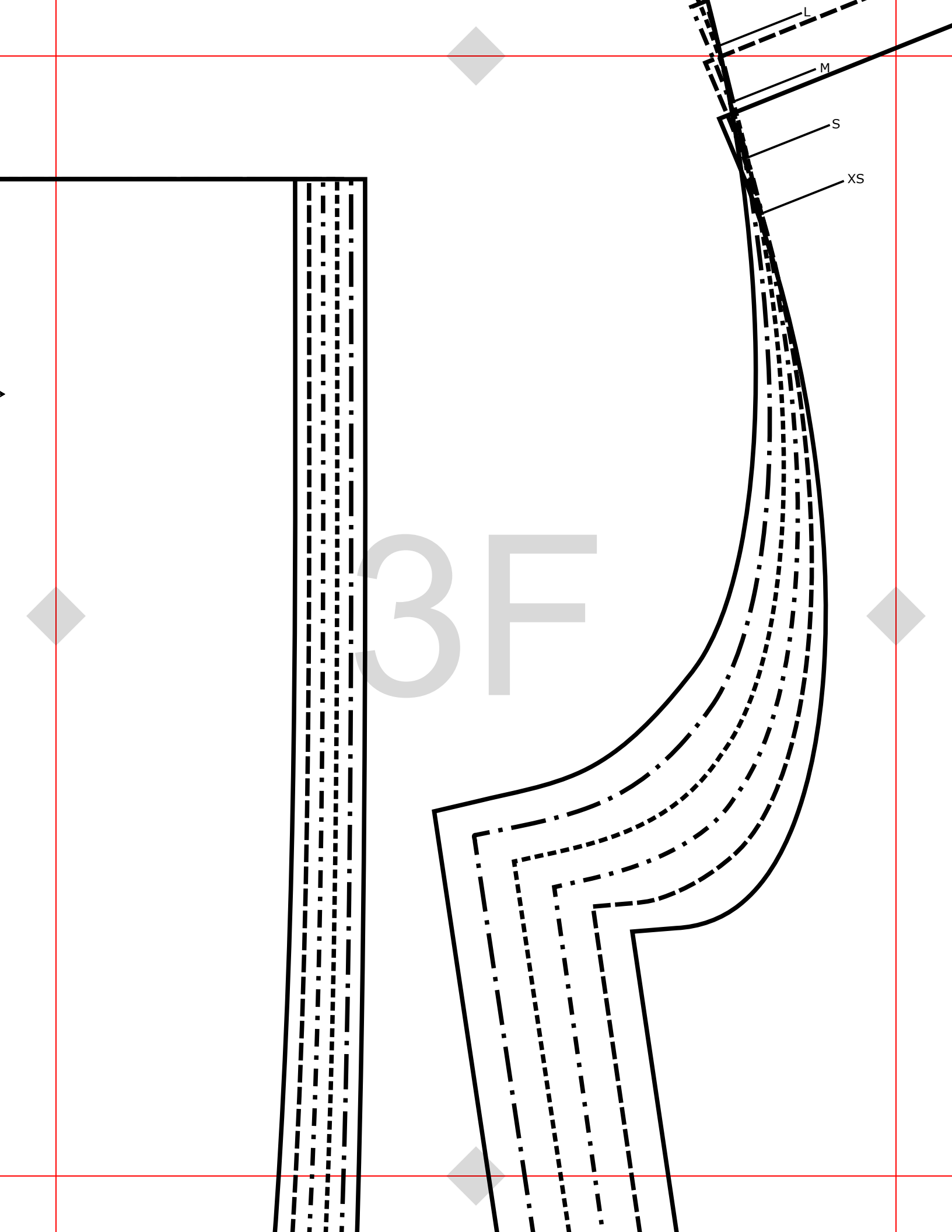
3D

Tie Dress  
Skirt Back  
Cut 2  
3/8" seam allowance





3E



L

M

S

XS

3F

XS

Tie Dress  
Bodice Back  
Cut 2  
3/8" seam allowance

3G

Press Front Skirt Strap

Black, 2 Red

Seam Allowance

Tie Dress  
Pleat XS, M, XL  
Cut 2  
3/8" seam  
allowance

XS

M

XL

4A

Button Placement



XL

Button Placement



L

Button Placement



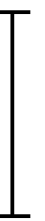
M

Button Placement



S

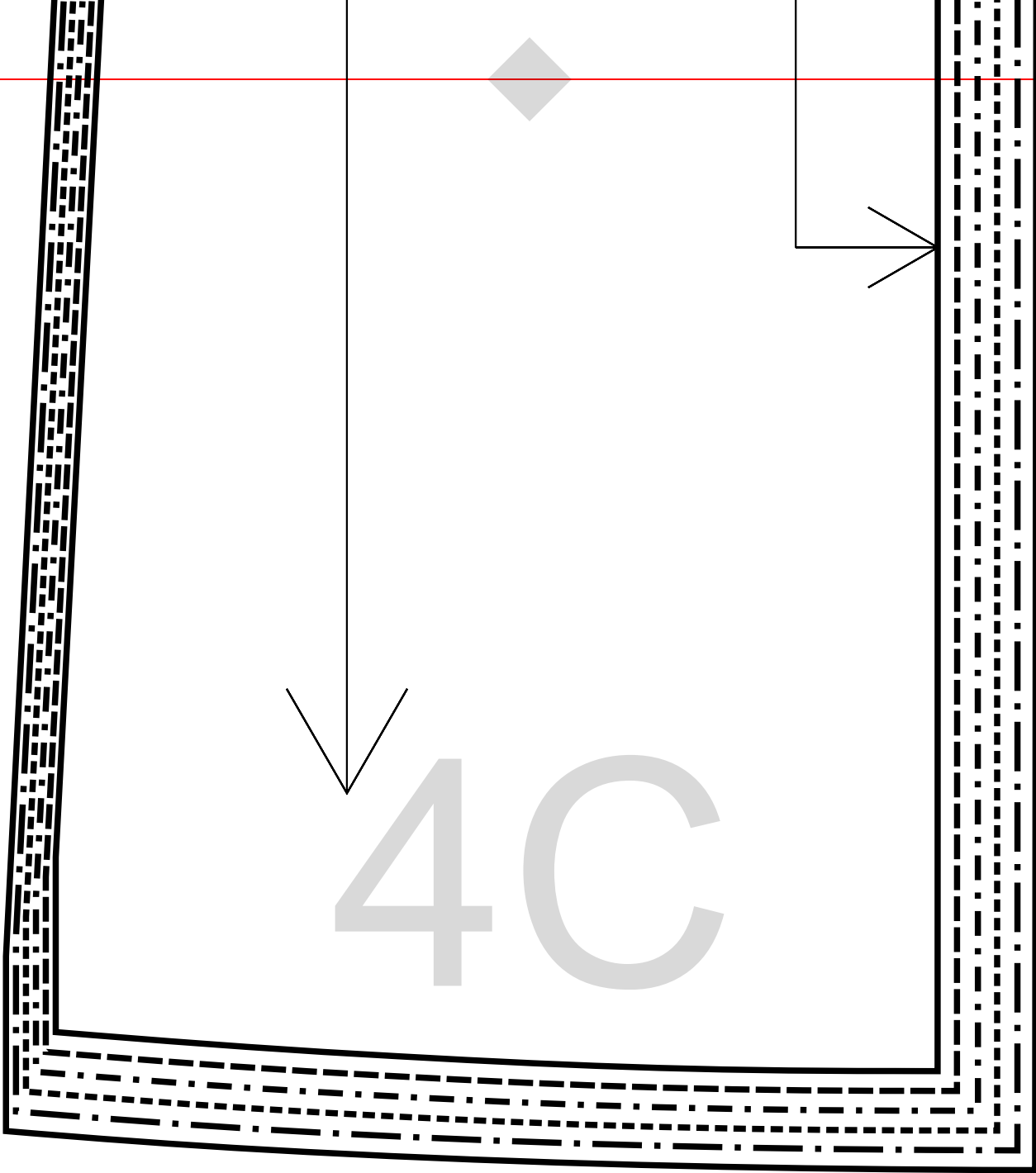
Button Placement



XS

4B

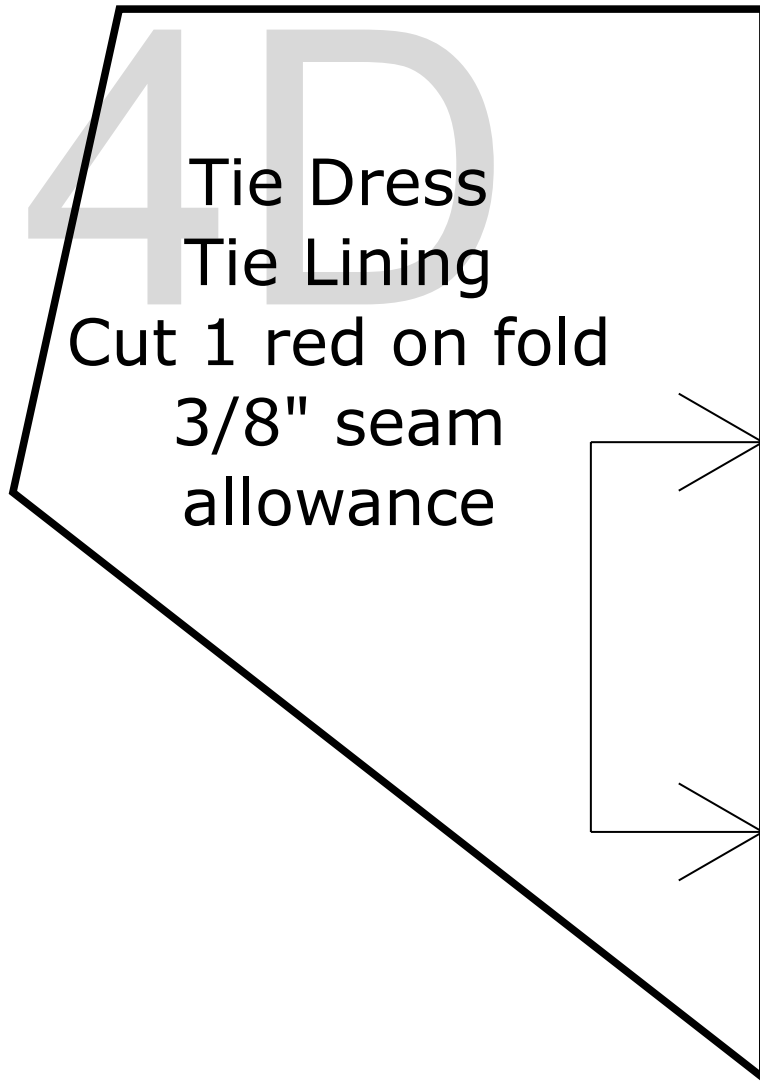
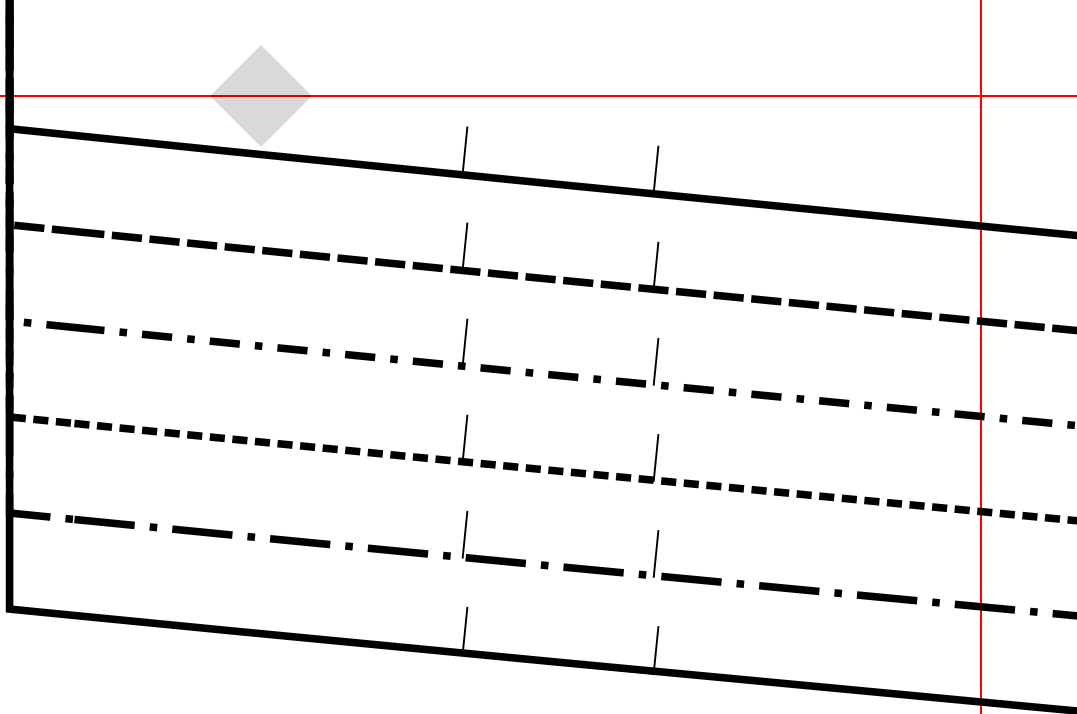




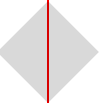
on Placement

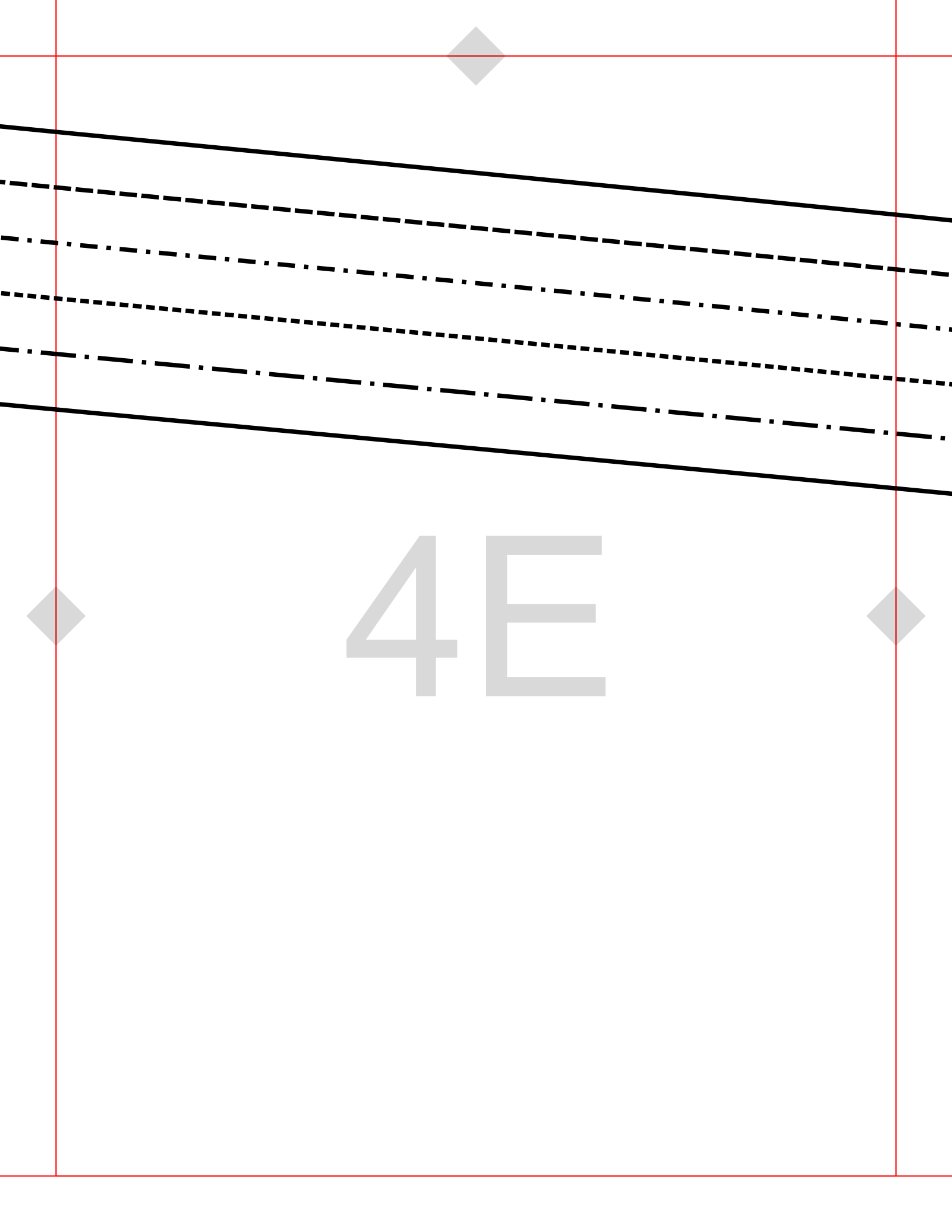


XXL

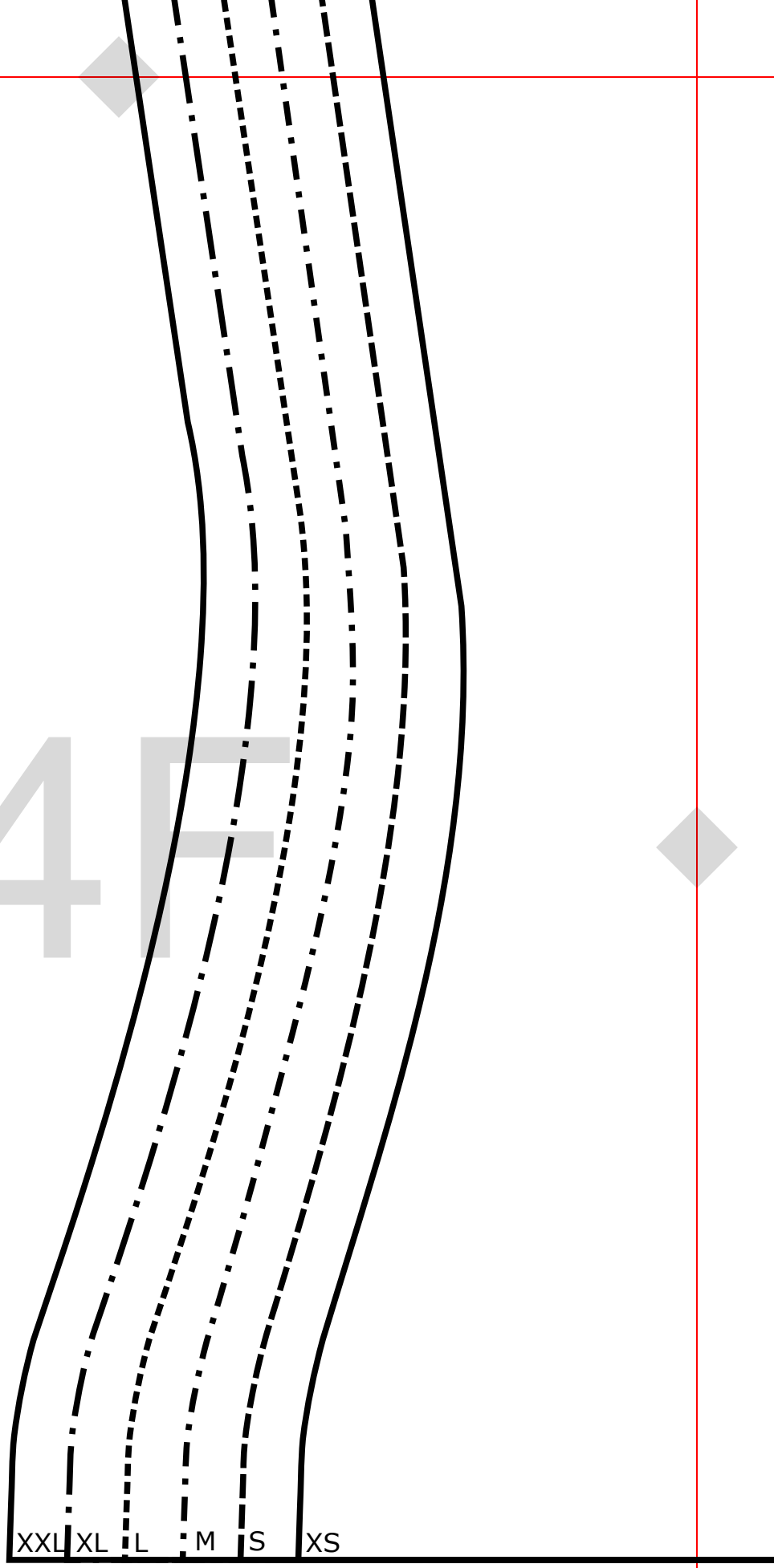
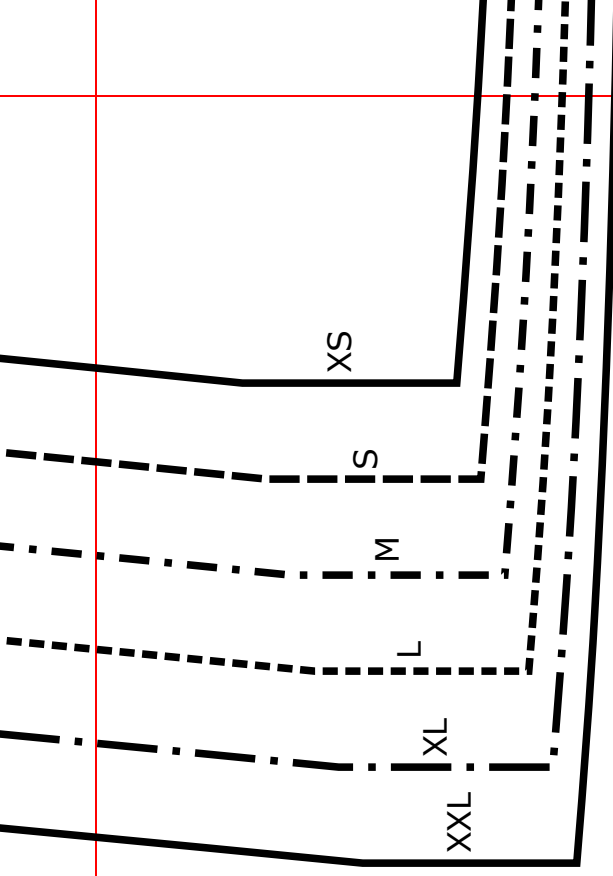


Tie Dress  
Tie Lining  
Cut 1 red on fold  
3/8" seam allowance

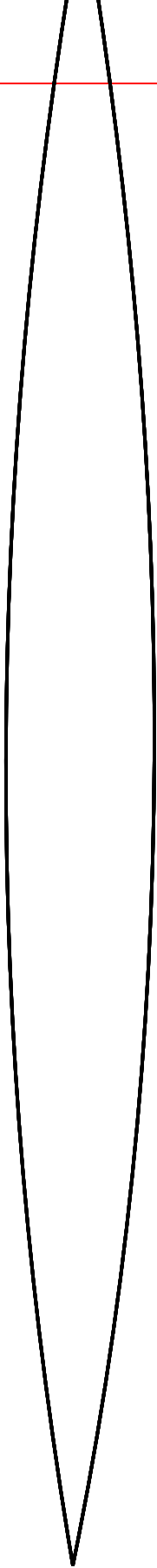




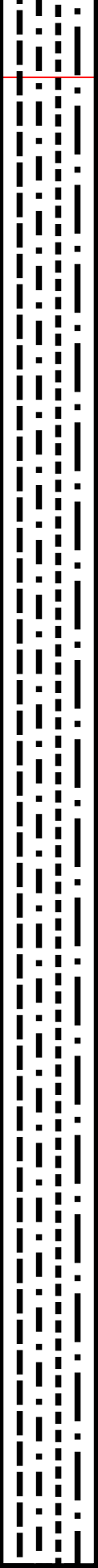
4E



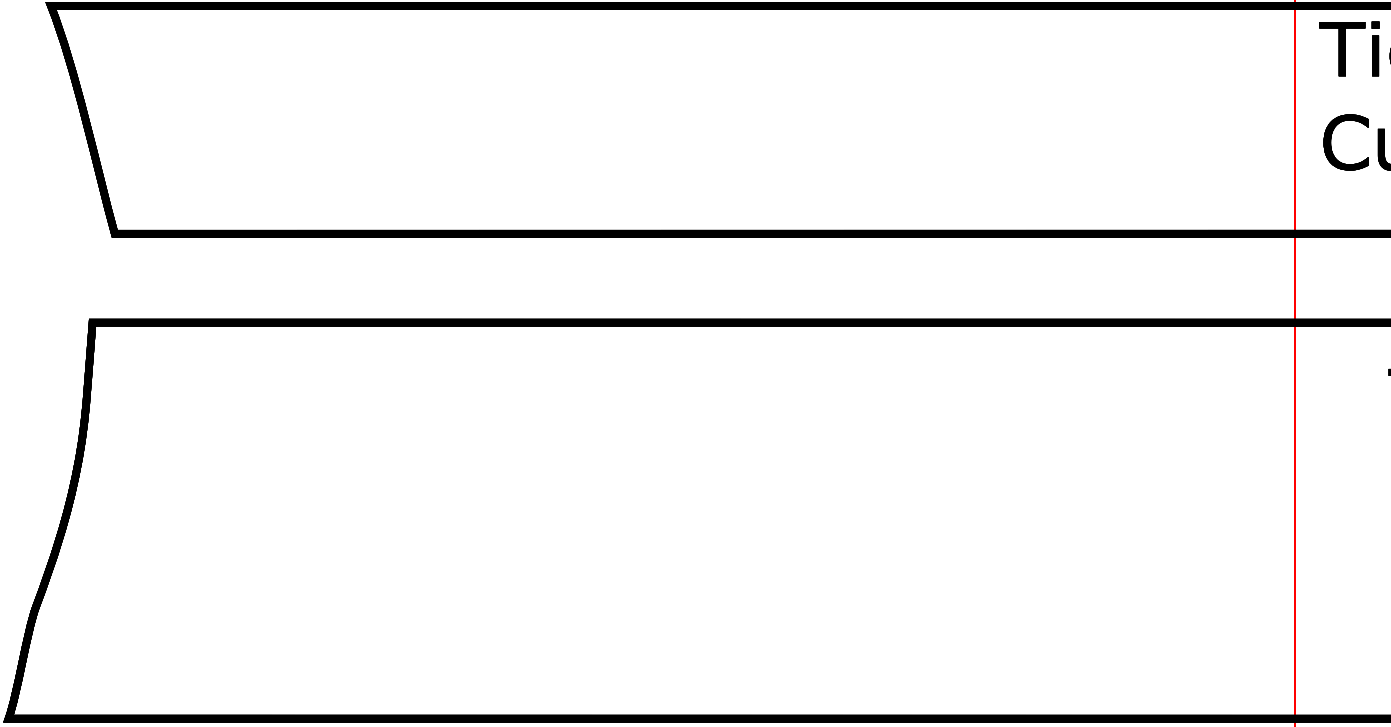
4E



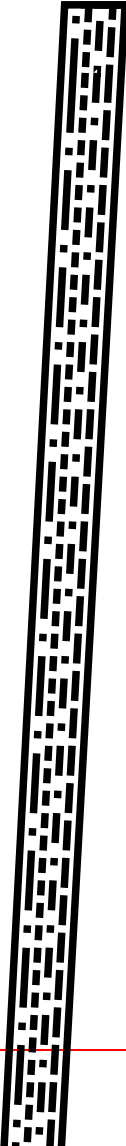
4G



Tie  
Cu



5A

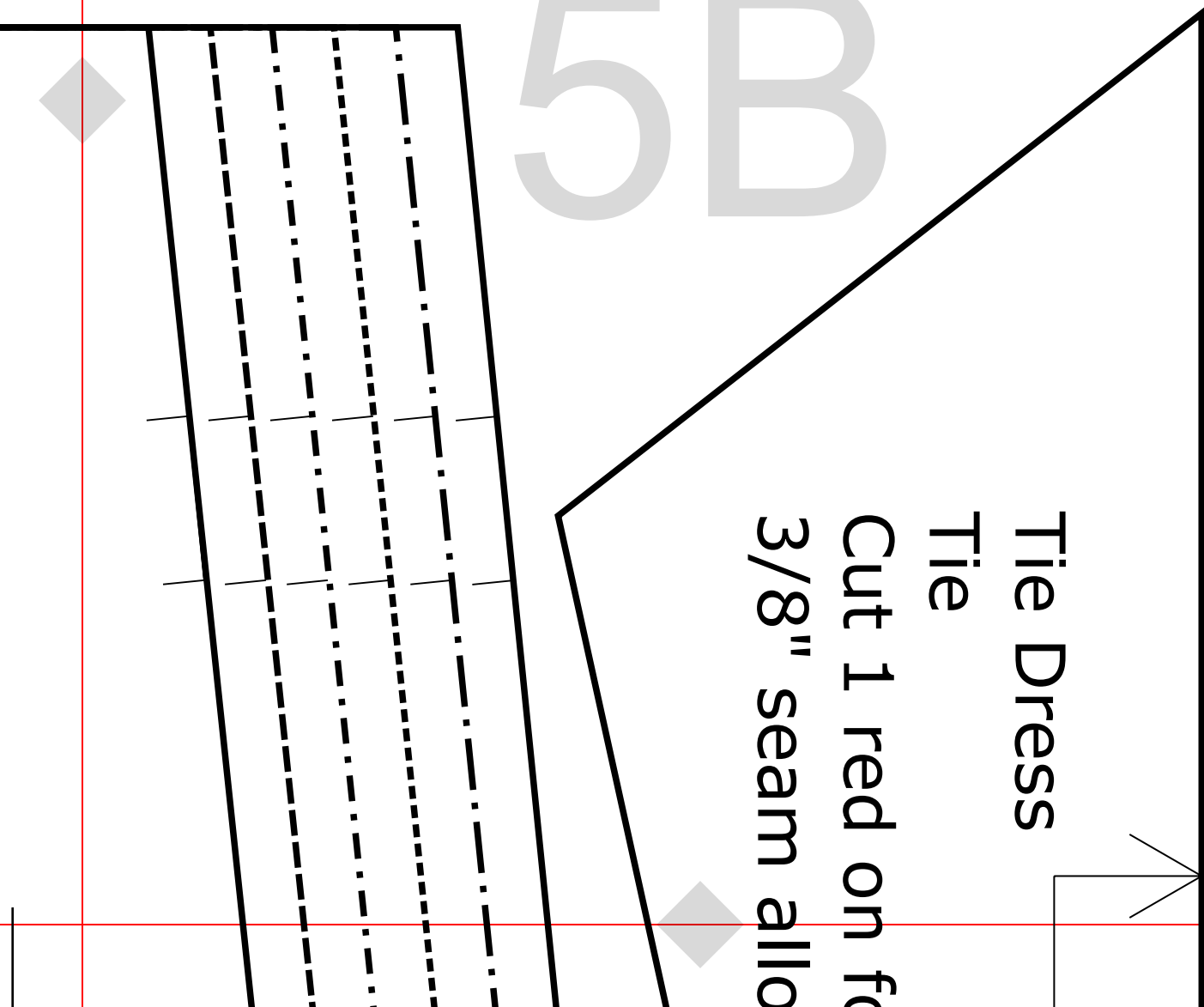


Tie Dress  
Skirt Side Front

Tie Dress Placket Facing  
Cut 1 Red - 3/8" seam allowance

Tie Dress Placket  
Cut 1 Black, 1 Interfacing  
3/8" seam allowance

5B



Tie Dress  
Tie

Cut 1 red on fo  
3/8" seam allo

		SX	S	M	L	XL	XXL
--	--	----	---	---	---	----	-----

		SX	S	M	L	XL	XXL
--	--	----	---	---	---	----	-----



Tie Dress Epaulet  
Cut 2 Black, 2 Red

3/8" Seam Allowance

Tie Dress  
Side Skirt Strap  
Cut 2 Black, 2 Red  
1/2" Seam Allowance



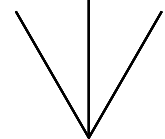
Tie Dress

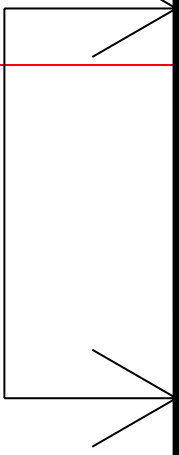
Skirt Side Front

Cut 2

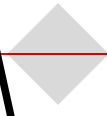
3/8" seam allowance

6A





on fold  
allowance



6B

